

INSTRUCTIONS



WEATHERBRAKE

2185

FITS

Kubota: B7410, B7510, B7610, B7800,
B2410, B2710, B2910

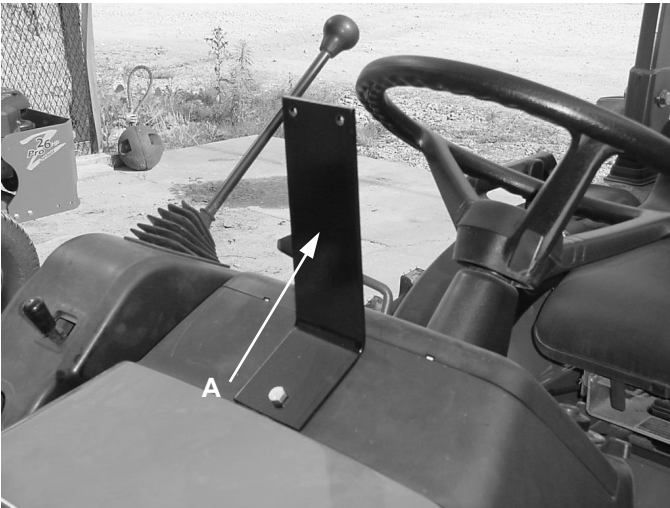


General Offices
1132 W. 1ST STREET
McPherson, KS 67460
Phone: (620) 241-3513
Web: www.femcomfg.com

Form No. 286331300 / 09-2007

IMPORTANT

CAREFULLY STUDY THE PHOTO DIAGRAMS SHOWING THE LOCATION OF EACH PART. LEAVE ALL HARDWARE LOOSE UNTIL INSTRUCTED TO TIGHTEN.



YOKE BRACKET

1. Remove bolt from center of dash cowl.
2. Attach yoke bracket (A) using one 8mm bolt.
3. Tighten Bolts.

DOOR POST

1. Remove plastic plug from floor mat and drill hole out to 9/32" diameter
2. Attach door post (A) using one 1/4" x 3/4" bolt and nut.



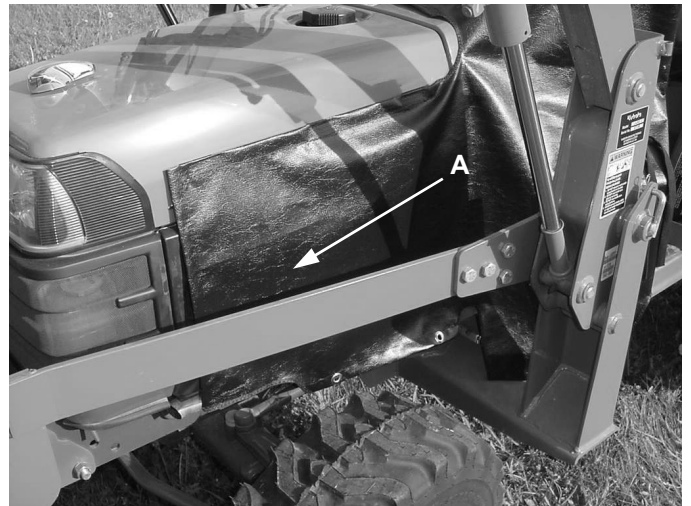


PEDAL GUARD

1. Remove plastic plug from floor mat and drill hole out to 9/32" diameter.
2. Attach pedal guard (A) using one 1/4" x 3/4" bolt and nut.

MOTOR COVER

1. Arrange motor cover over hood of tractor.
2. Slide 3" hem of motor cover down over top of door post.



YOKE

1. Insert yoke into top 3" of motor cover.
2. Attach yoke to yoke bracket using two 1/4" x 3/4" bolts and nuts.
3. Attach yoke to door post using one 1/4" x 1" bolt and nut. **Note:** head of bolt inside, nut outside.

SIDE ARM

1. Slide side arm (A) into 3" hem of motor cover.
2. Attach side arm to yoke using one 3/8" x 1" bolt and nut. Head of bolt up, nut down.
3. Attach rear of side arm to grab handle using one "U" bolt and nut.
4. Tighten all bolts.



Dual Lock® a registered trademark of 3M Co.

1. Cut plastic Dual Lock® into 2" lengths.
2. Surface must be cleaned with a mild detergent to assure proper application of Dual Lock® strips.

NOTE: Do not peel the backing from the Dual Lock.

3. Apply cut Dual Lock® to all Dual Lock® sewn to motor cover.
4. Arrange motor cover to tractor. Peel backing from Dual Lock® and apply to tractor. Repeat this procedure for all Dual Lock®.

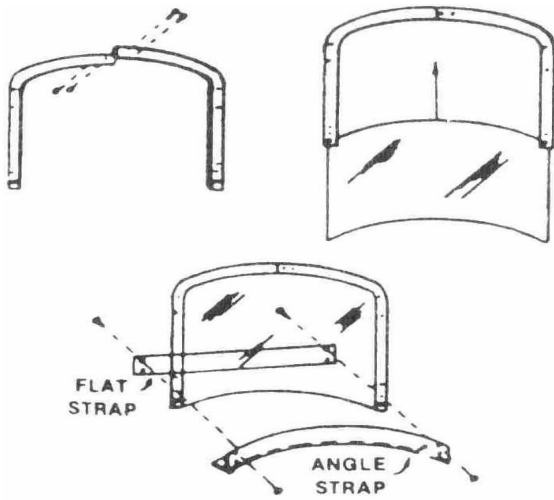
TIE STRAPS

1. Thread cloth strap through grommets at bottom of motor cover and tie.
2. Route cloth straps to other side or to a point on tractor and tie.

IMPORTANT:

Cloth straps are not to be attached to any moving, rotating, or heat generating points of the tractor. Any excess cloth straps are to be cut off





WINDSHIELD ASSEMBLY

1. Attach left and right window frames using two (2) #10 x 1/2" bolts and nuts.
2. Slide glass into the channel of the windshield.
3. Attach flat strip and angle strip to the windshield using two (2) #10 x 1/2" bolts and nuts.
4. Tighten Bolts.

WINDSHIELD ATTACHMENT

1. Remove nut from yoke and door post and attach assembled windshield.
2. Attach assembled windshield to outside of yoke with nut removed and 1/4" x 1" bolt and nut to other side of windshield
3. Tighten all bolts.

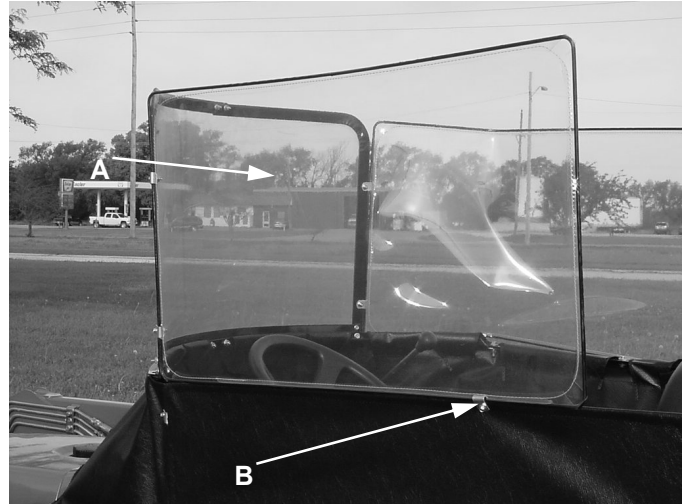


DOOR

1. Locate holes in door post and cut holes in fabric.
2. Hold door (A) to door post and bottom of windshield.
3. Mark location of holes in door post to door.
4. Cut 5/8" slots next to wire frame of door and attach to door posts using four #10 x 3/4" bolts, F1 clips and nuts.
5. Tie door flap (B) to motor cover
6. Tighten bolts.

LEFT WINDOW

1. Mark location holes in windshield to left window (A)
2. Cut 5/8" slots next to wire frame of left window and attach to windshield using two #10 x 3/4" bolts and nuts.
3. At location (B) cut 5/8" slots inside window and top of door and attach using one #10 x 3/4" bolt, nut & clip.
4. Tighten bolts.



RIGHT WINDOW

1. Right window is to be bend to conform to side arm by placing on a table and bending by hand.
2. Using same procedure as left window, attach right window to windshield and side arm using three #10 x 3/4" bolts, clips, and nuts..
3. Tighten bolts.

DOOR LATCH

1. Position door latch (A) under bottom rear of door.
2. Door is to set firmly in loop of door latch. Change position up or down with adjustment holes
3. Attach to grab handle using one "U" bolt and nut.
4. Tighten all bolts.



NOTES